

Technical Specifications

Pan/Tilt/Zoom

- Pan range: 360° continuous rotation
- Tilt range: 0° ~ 90° flip
- 20x optical zoom
- Pan speed: 0.1° ~ 300°/sec
- Tilt speed: 0.1° ~ 120°/sec
- Number of Presets: 128
- Auto pan mode
- Auto patrol mode

Lens

- 20x optical zoom lens, f = 4.7 ~ 94 mm, F1.6 (wide), F3.5 (tele), auto focus, auto-iris, focus range: 10 mm (wide) ~ 800 mm (tele) to infinity
- Removable IR-cut filter for day & night function

Angle of View

- 4.7 ~ 94° (horizontal)

Shutter Time

- 1/1 sec. to 1/10,000 sec.

Image Sensor

- 1/3" SONY CMOS Sensor in 1920x1080 resolution

Minimum Illumination

- 0.02 Lux @ F1.6 (Color)
- 0.001 Lux @ F1.6 (B/W)

Video

- Compression: H.264, MJPEG & MPEG-4
- Streaming:
 - Multiple simultaneous streams
 - H.264 streaming over UDP, TCP, HTTP or HTTPS
 - MPEG-4 streaming over UDP, TCP, HTTP or HTTPS
 - H.264/MPEG-4 multicast streaming
 - MJPEG streaming over HTTP or HTTPS
- Supports activity adaptive streaming for dynamic frame rate control
- Supports 3GPP mobile surveillance
- Frame rates:
 - H.264:
 - Up to 60 fps at 1280x720
 - Up to 30 fps at 1920x1080
 - MPEG-4:
 - Up to 60 fps at 1280x720
 - Up to 27 fps at 1920x1080
 - MJPEG:
 - Up to 60 fps at 1280x720
 - Up to 30 fps at 1920x1080
 - (Up to 30/15 fps in WDR mode)

Image Settings

- Adjustable image size, quality and bit rate
- Time stamp and text caption overlay
- Flip & mirror
- Configurable brightness, contrast, saturation, sharpness, white balance and exposure
- AGC, AWB, AES
- WDR Pro
- Automatic, manual or scheduled day/night mode
- BLC (Backlight Compensation)
- Supports privacy masks

Audio

- Compression:
 - GSM-AMR speech encoding, bit rate: 4.75 kbps to 12.2 kbps
 - MPEG-4 AAC audio encoding, bit rate: 16 kbps to 128 kbps
 - G.711 audio encoding, bit rate: 64 kbps, μ -Law or A-Law mode selectable.
- Interface:
 - External microphone input
 - Audio output
- Supports two-way audio
- Supports audio mute

Networking

- 10/100 Mbps Ethernet, RJ-45
- Onvif support
- Protocols:
 - IPv4, IPv6, TCP/IP, HTTP, HTTPS, UPnP, RTSP/RTP/RTCP, IGMP, SMTP, FTP, DHCP, NTP, DNS, DDNS, PPPoE, CoS, QoS, SNMP, and 802.1X

Alarm and Event Management

- Triple-window video motion detection
- Audio detection
- Three D/I and two D/O for external sensor and alarm
- Event notification using HTTP, SMTP or FTP
- Local recording of MP4 file

On-board Storage

- SD/SDHC card slot
- Stores snapshots and video clips

Security

- Multi-level user access with password protection
- IP address filtering
- HTTPS encrypted data transmission
- 802.1X port-based authentication for network protection

Users

- Live viewing for up to 10 clients

Weight

- Net: 3,400 g

LED Indicator

- System power and status indicator
- System activity and network link indicator

Power

- 24V AC
- Power consumption: Max. 60 W
- 802.3at compliance PoE plus

Housing

- Weather-proof IP66-rated housing

Approvals

- CE, LVD, FCC, VCCI, C-Tick

Operating Environments

- Temperature: -40°C ~ 55°C (AC 24V)
- Temperature: -10°C ~ 55°C (PoE Plus)
- Humidity: 90% RH

Viewing System Requirements

- OS: Microsoft Windows 7/Vista/XP/2000
- Browser: Mozilla Firefox, Internet Explorer 6.x or above
- Cell phone: 3GPP player
- Real Player: 10.5 or above
- Quick Time: 6.5 or above

Installation, Management, and Maintenance

- Installation Wizard 2
- 32-CH ST7501 recording software
- Supports firmware upgrade

Applications

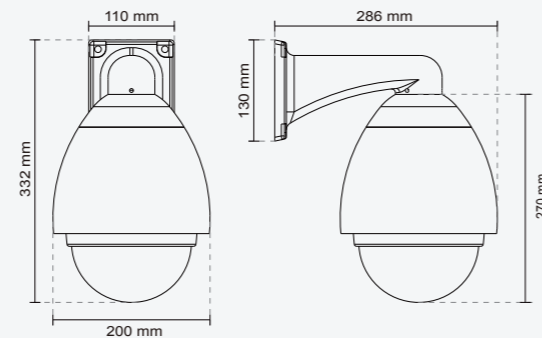
- SDK available for application development and system integration

Warranty

- 36 months

Dimension

- Camera: \varnothing 200 mm x 270 mm
- Cable length: 1330 mm
- Cable diameter: \varnothing 15 mm; Max width: \varnothing 20 mm



All specifications are subject to change without notice. Copyright© 2011 VIVOTEK INC. All rights reserved. P/N: 971004600

SUPREME
A NEW DEFINITION OF HD



Speed Dome Network Camera SD8362E

20x Zoom • 2MP • Full HD • WDR • 60 fps •
Extreme Weatherproof • PoE Plus



VIVOTEK SD8362E is part of the SUPREME series product line offering 2-Megapixel or 1080p resolution with superb image quality. Adopting a 20x optical zoom lens, the SD8362E is able to capture details at top-notch quality.

The IP66-rated housing protects the camera body against rain and dust within the wide temperature range between -40°C and 55°C. This feature ensures operation under extreme weather conditions. The Camera is especially suitable for monitoring wide open indoor/outdoor spaces such as airports, highways and parking lots where high-level reliability and precision are always required.

The SD8362E supports high-performance H.264/MPEG-4/MJPEG compression technology and offers extra smooth video quality with resolution up to 60 fps @ 720p and 30 fps @ 1080p. Boasting WDR technology, the SD8362E can also cope with challenging lighting conditions and generate image quality close to the capabilities of the human eye. With sophisticated pan/tilt mechanism, the camera provides fast, precise movement with continuous 360-degree pan and 90-degree tilt. Users can easily control the lens position via a mouse or a joystick to track the object of interest and set up to 128 preset positions for patrolling.

As with all VIVOTEK true day/night cameras, the SD8362E features a removable IR-cut filter, maintaining clear images 24 hours a day. Audio detection is another new feature available on the SD8362E. By recognizing increases or decreases in sound volume, an additional layer of intrusion detection is ensured. With other advanced features such as SD/SDHC card slot, 802.3at compliant PoE Plus and 60 fps high quality video, the SD8362E is the best choice for the most demanding outdoor surveillance applications.



VIVOTEK INC.
6F, No.192, Lien-Cheng Rd., Chung-Ho, New Taipei City, 235, Taiwan, R.O.C.
| T: +886-2-82455282 | F: +886-2-82455532 | E: sales@vivotek.com

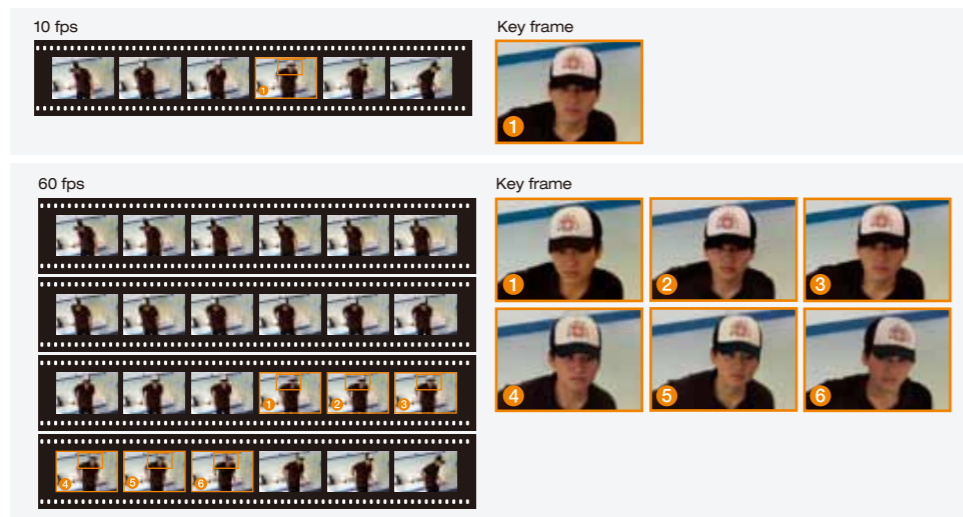
VIVOTEK USA, INC.
2050 Ringwood Avenue, San Jose, CA 95131
| T: 408-773-8686 | F: 408-773-8298 | E: salesusa@vivotek.com

Ver 1.0



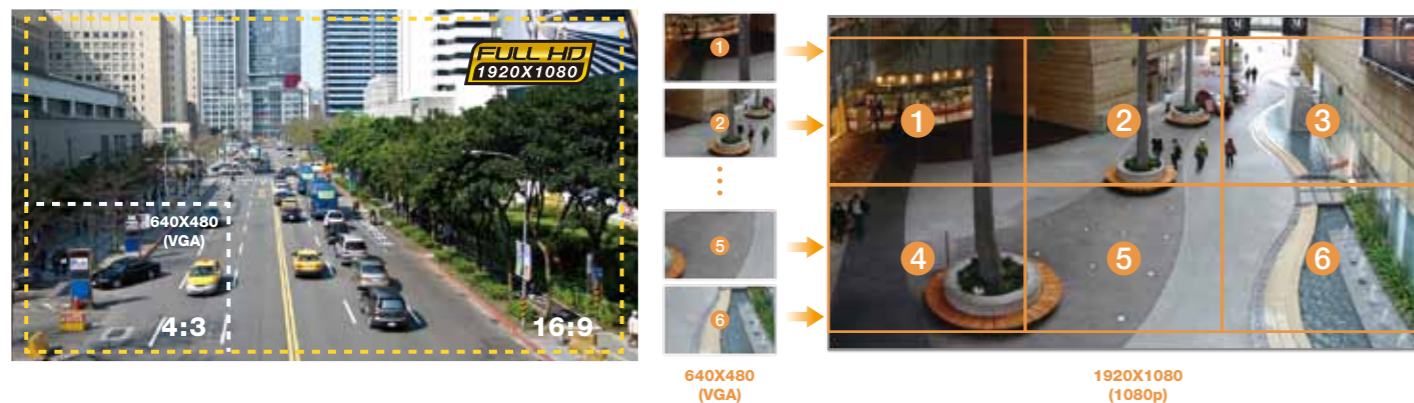
60 fps Raises Recognition Accuracy

The VIVOTEK SD8362E is able to transmit 60 fps @ 720p resolution with H.264 compression, whereas a conventional megapixel camera can generally only achieve 10 to 15 fps due to hardware limitations. 60 fps provides a significant advantage as it enables viewing and recording footage at an exceptional frame rate. This feature provides a more complete record of an event and ensures accurate target identification. The more images or frames that can be captured and delivered to a facial recognition database, the more forensic evidence is available for biometric pairing, significantly increasing the level of the accuracy.



Wide Coverage, Exceptional Details

Compatible with the HDTV (16:9) full HD standard, the SD8362E provides surveillance coverage for an area up to six times larger than is possible with a VGA camera. The SD8362E is especially well suited for monitoring broad, open spaces such as traffic intersections, airport terminals, building entrances, and more. This device is also well complements applications requiring accurate recognition for post-content analysis, such as identification of people or license plates.



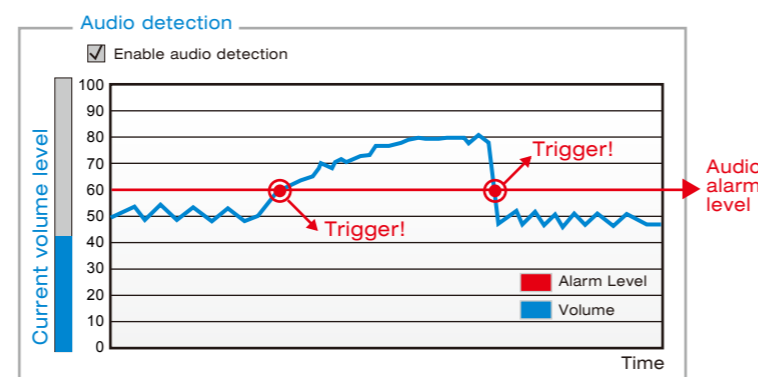
Detailed Images of Distant Objects

Utilizing a 20X optical zoom lens, the SD8362E provides close-up images with exceptional detail and effectively extends the user's viewing distance. Users can easily and quickly zoom in on distant objects or minute details with precision and quality, even at from far away.



Audio Detection for Instant Alerts

The audio detection feature enables an event trigger when a sudden, unexpected increase or decrease in sound volume occurs so as to alert users of a possible emergency situation.

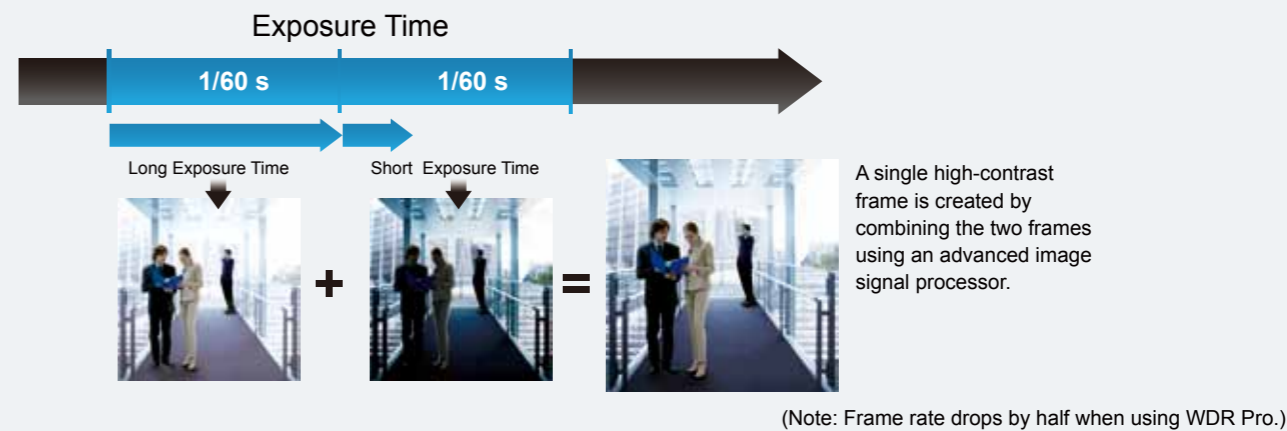


Unparalleled Visibility in High Contrast Environments

When a camera is used in a high contrast, backlight, glare or light reflective environment, such as a building entrance, ATM or window, a subject may appear dark and unrecognizable. WDR (Wide Dynamic Range) technology compensates for the unbalanced lighting, restoring the details throughout the field of view. With this feature, the SD8362E is able to maintain image quality even under challenging light conditions.

• WDR Pro

WDR Pro works by capturing alternate frames using different exposure times. An image signal processor (ISP) then uses a sophisticated algorithm to seamlessly combine the optimal portions of these two complementary frames to create a composite frame that retains details in both the dark and bright areas of the field of view.



Extreme Weatherproof

• Wide Temperature Range

The wide temperature range (-40°C ~ 55°C) enhances the SD8362E's performance and reliability under extremely harsh weather conditions.



• IP66-rated Housing

The weather-proof IP66-rated housing protects the SD8362E from dust and moisture, allowing the device to operate outdoors under a multitude of weather conditions.



SD8362E Speed Dome Network Camera

20x Zoom • 2MP • Full HD • WDR • 60 fps • Extreme Weatherproof • PoE Plus

- Full HD SONY CMOS Sensor
- Up to 60 fps @ 720p HD; Up to 30 fps @ 1080p Full HD
- 20x Zoom Lens
- Removable IR-cut Filter for Day & Night Function
- 360° Continuous Pan and 90° Tilt
- Real-time H.264, MPEG-4 and MJPEG Compression (Triple Codec)
- WDR Pro for Unparalleled Visibility in High Contrast Environments
- Weather-proof IP66-rated Housing
- -40°C ~ 55°C Wide Temperature Range for Extreme Weather Conditions
- Audio Detection for Instant Alerts
- Built-in 802.3at Compliant PoE Plus
- 3D Privacy Masks for Additional Protection
- Built-in SD/SDHC Card Slot for On-board Storage

